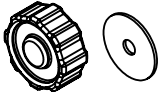


1 INVENTORY ALL COMPONENTS



4 Exterior Knob & Rubber Washer
802011



2 Track End Cap
802015



2 Interior Knob with Screw
802013



4 1/4-20 x 5/8 Button Socket Screw
802014



2 Track Receiver
802012

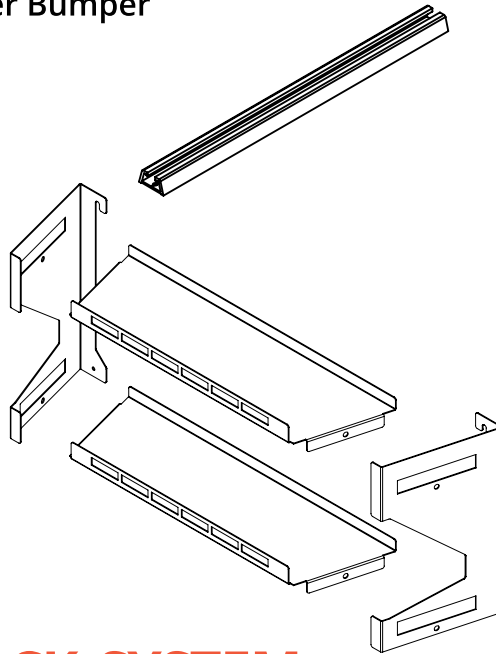


4 1/4-20 x 1/2 Button Socket Screw
802008



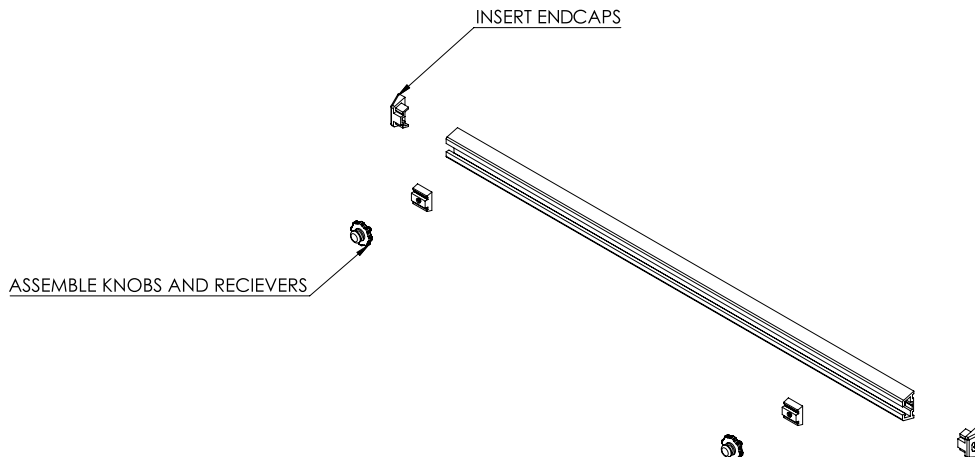
2 Threaded Rubber Bumper
802005

1 Extrusion Track - 32"
802010

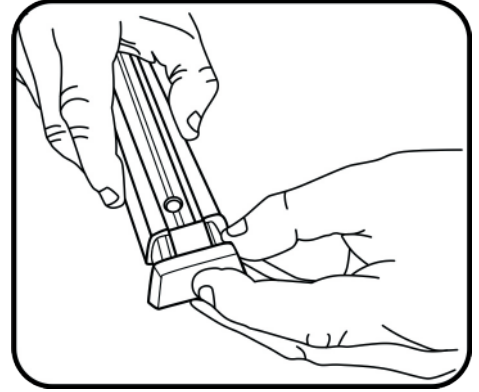
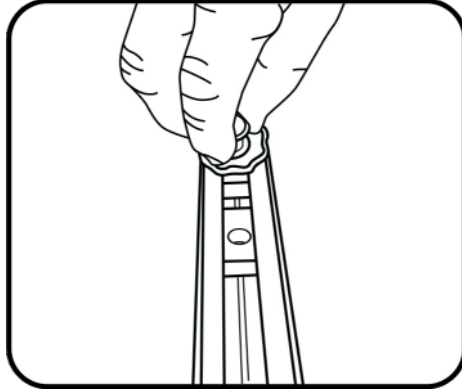
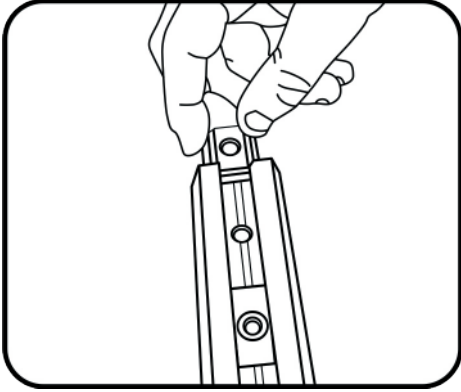


2 ASSEMBLE TRACK SYSTEM

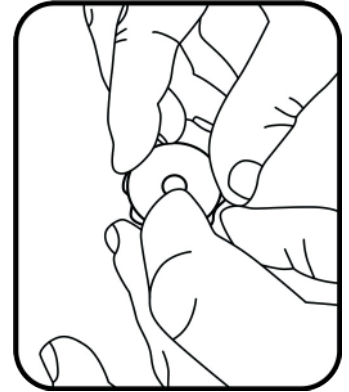
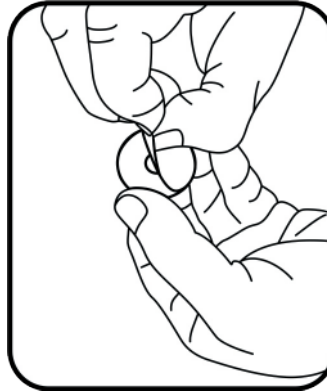
Track requires 2 track receivers, 2 interior knobs, and 2 end caps.



2a. To assemble end caps, insert widest portion first and rotate up. Window cleaner or other soapy liquid may help with installation.



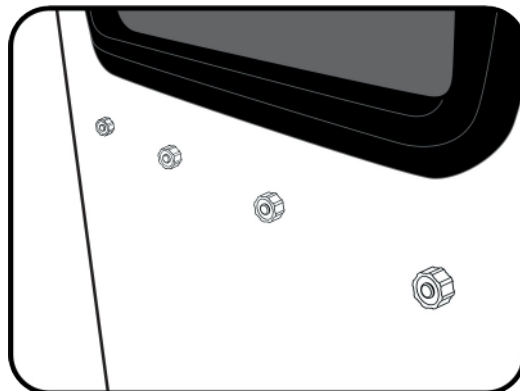
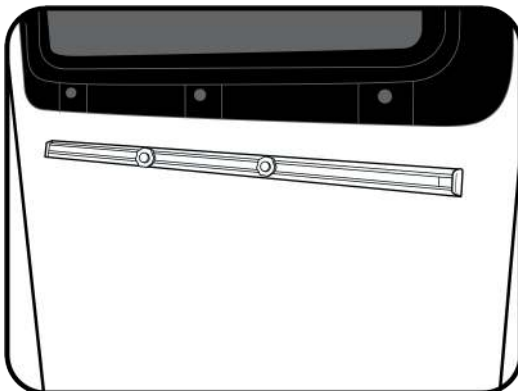
2b. Apply rubber washers to the exterior knobs.



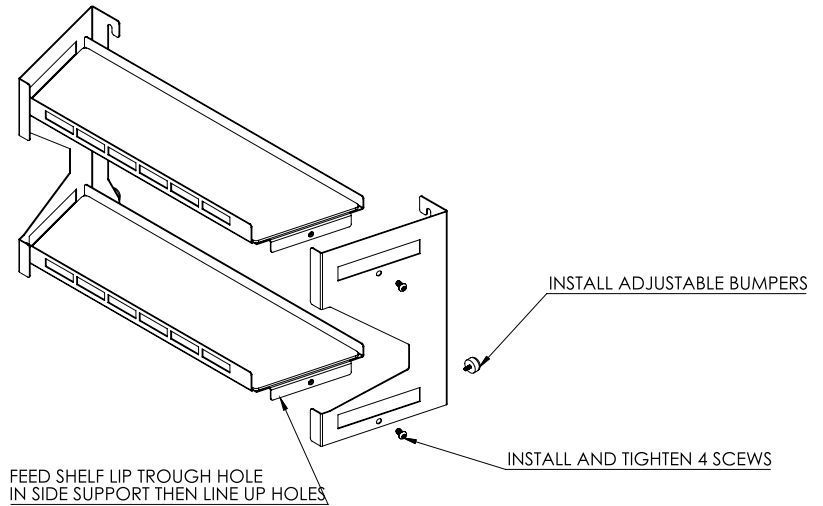
3 INSTALL TRACKS

3a. Using the supplied template, drill the two center holes for mounting the track with a 9/32 drill bit. The track will be centered 3" under any of the three horizontal windows.

3b. Mount the track with the center two 1/4-20 x 5/8" button head screws and exterior knobs. Use the track as a guide to drill the outer holes.



3c. Install the outer screws and knobs.



4 INSTALL SHELF

4a. Assemble shelf by inserting the side lip of the shelf through the rectangular hole on the side support.

4b. Line up the screw hole and secure with the supplied ¼ - 20 x ½" button head screw.

4c. Repeat for all locations.

4d. Install rubber bumper on the back lower portion of the shelf. These bumpers are used to help level the shelf after installation.

4e. Remove paper from shelf liners and install.

4f. Once shelf is assembled, hang using the two interior knobs in the track.

